



# Lithium Cylindrical Cell CR 1/3N

- Low self-discharge
- Long shelf life
- UN 38.3 tested
- Wide assortment of mounting options and wire terminals available

## SPECIFICATIONS

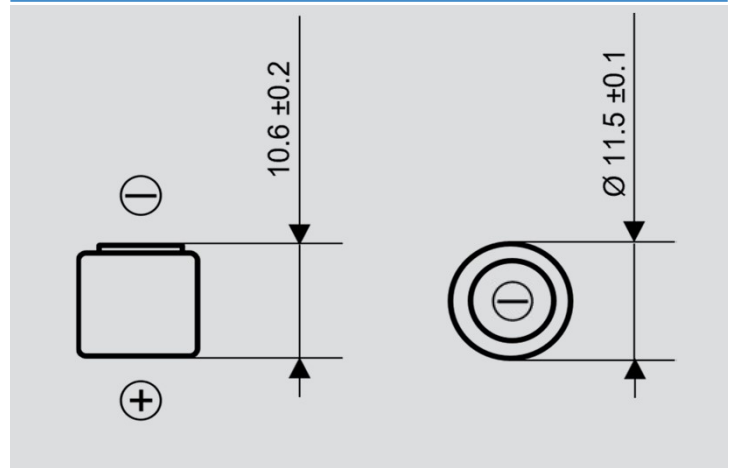
Jauch part number	252014
Nominal Voltage	3V
Nominal Capacity <sup>*1</sup>	170 mAh
Max. Discharge Current <sup>*2</sup>	60 mA
Standard Load	2.7 mA
Max. Pulse Current <sup>*3</sup>	80 mA
Cut off Voltage	2V
Operating Temperature	-40°C to +60°C
Weight	Approx. 2.8 g
Chemistry	Li/MnO <sub>2</sub>
UL1642	MH62838

<sup>\*1</sup> Nominal capacity is determined at an end voltage of 2.0V when the battery is allowed to discharge at a standard current level at 23°C.

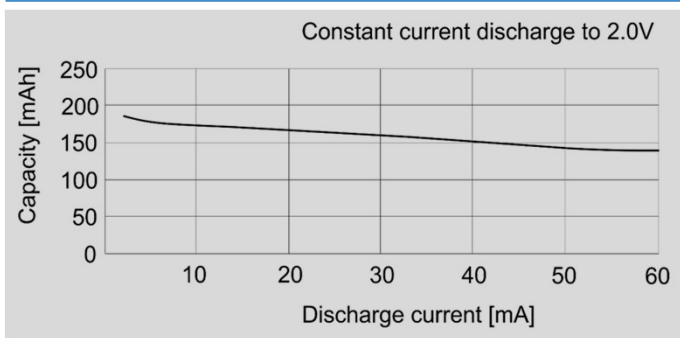
<sup>\*2</sup> Current value is determined to be the level at with 50% of the nominal capacity is obtained with an end voltage of 1.0V at +23°C.

<sup>\*3</sup> Current value for obtaining 2.0V cell voltage when pulse is applied for 3s at 50% discharge depth at +23°C.

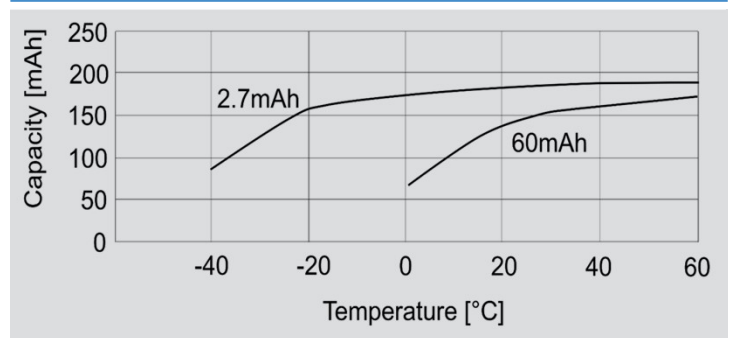
## DIMENSIONS [mm]



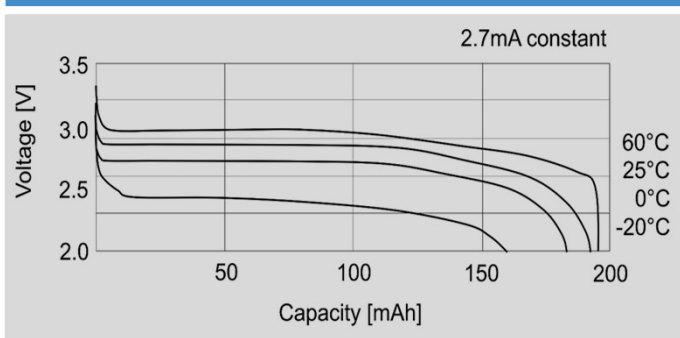
## DISCHARGE CHARACTERISTICS



## TEMPERATURE CHARACTERISTICS



## DISCHARGE CHARACTERISTICS



## STORAGE PERFORMANCE

