



# Lithium Cylindrical Cell - CR 17505 A

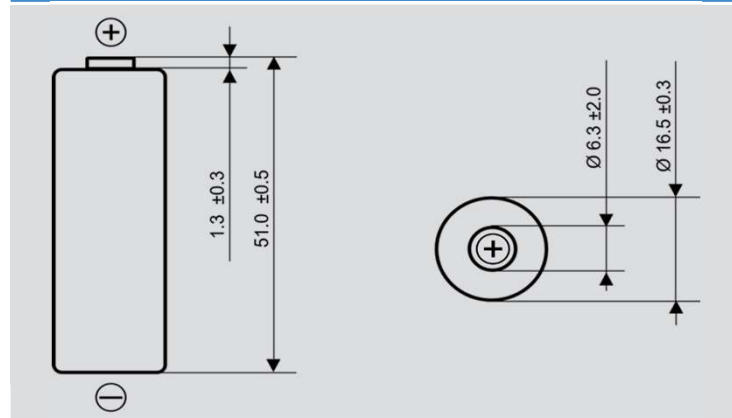
- Low self-discharge
- Long shelf life
- UN 38.3 tested
- Wide assortment of mounting options and wire terminals available

## SPECIFICATIONS

Jauch part number	251596
Nominal Voltage	3V
Nominal Capacity	2800 mAh
Cut-Off Voltage	2V
Continuous Standard Load	10 mA
Max. Continuous Current	1000 mA
Max. Pulse Current	3000 mA
Operating Temperature	-40°C to +70°C *
Weight	Approx. 24.8 g
Chemistry	Li/MnO <sub>2</sub>
UL1642	MH62838

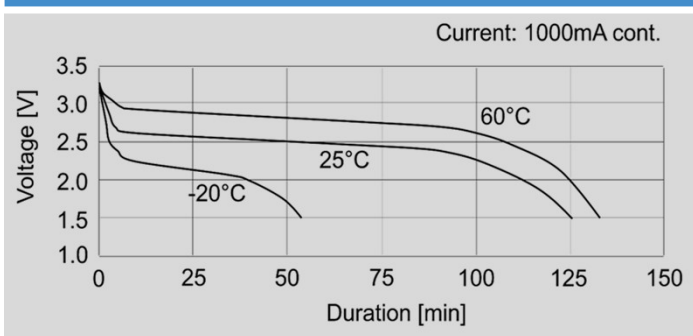
Note: Capacity 2800mAh is obtained at standard cc load to 2.0V at 23°C.

## DIMENSIONS [mm]

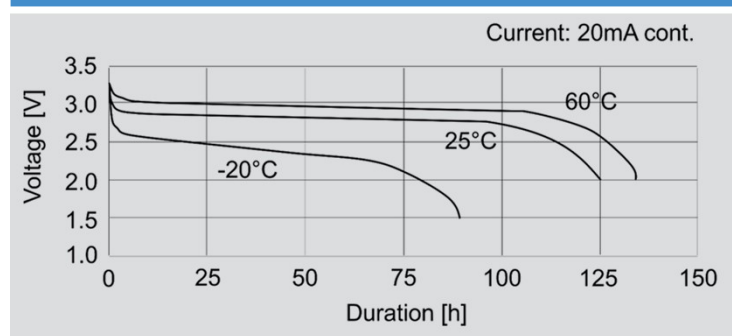


\* In applications where the battery is exposed to temperatures >60°C, please contact Jauch.

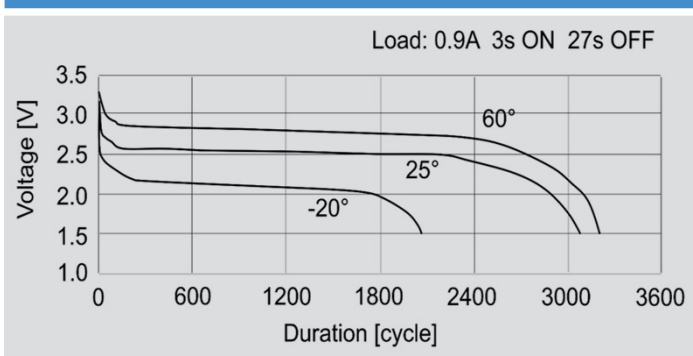
## DISCHARGE CHARACTERISTICS



## TEMPERATURE CHARACTERISTICS



## PULSE DISCHARGE CHARACTERISTICS



## STORAGE CHARACTERISTICS

