

# Lithium-Ion Cell - LI18650JD-30P Power Type



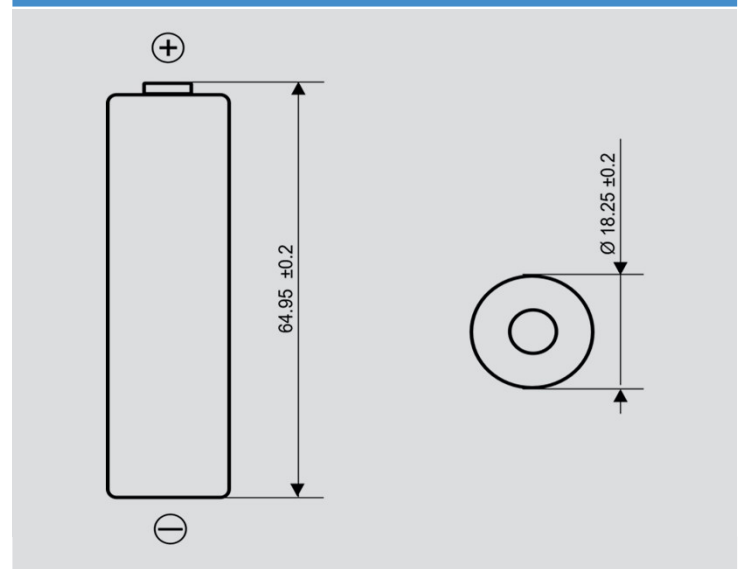
- High Discharge Current
- Long Cycle Life
- Low Self-Discharge
- Fast Charging Capability



## SPECIFICATIONS

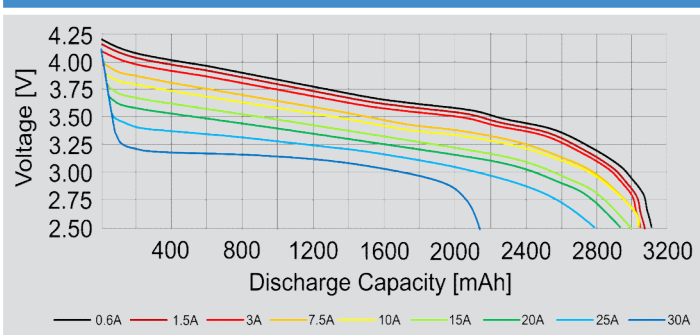
Jauch Part Number	251001
Nominal Voltage	3.6 V
Charging Voltage	4.2 V
Rated Capacity	3000 mAh
Standard Discharge Current	20 A (@ ambient temp.)
Max. Discharge Current (cont.)	30 A (80°C temperature cut)
Standard Charge Current	1.5 A
Max. Charge Current (cont.)	6.0 A
Discharge Ending Voltage	2.5 V
Standard Charge cut-off current	50 mA
Internal Resistance	≤20 mΩ (ACIR)
Weight	Approx. 48 g
Operating Temperature Charge	0°C to +60°C
Operating Temp. Discharge	-20°C to +80°C
UL1642	MH62838

## DIMENSIONS [mm]

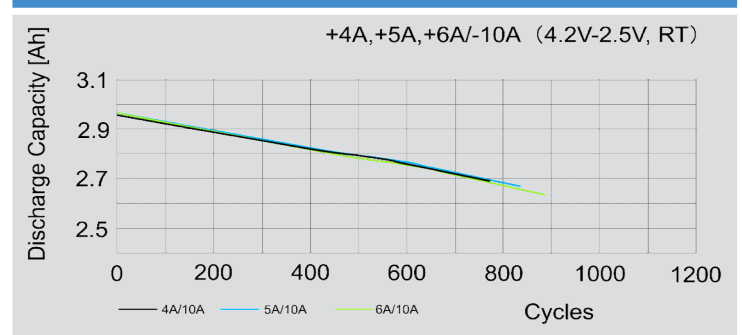


For full specifications, please contact [batterytechnology@jauch.com](mailto:batterytechnology@jauch.com).

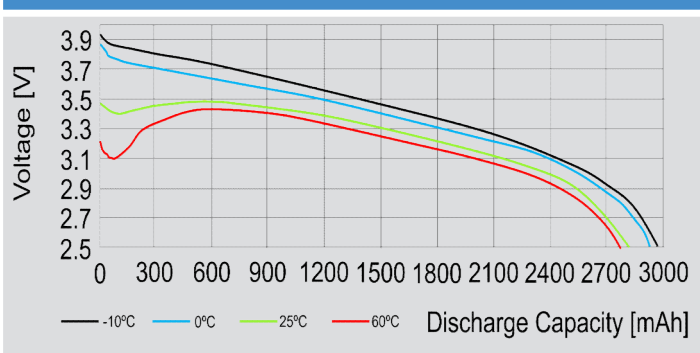
## RATED DISCHARGE CURVE



## CYCLE CHARACTERISTIC



## TEMPERATURE CHARACTERISTIC



## CYCLE CHARACTERISTIC

