

Lithium-Ion Cell - LI INR18650JD-29E Energy Type



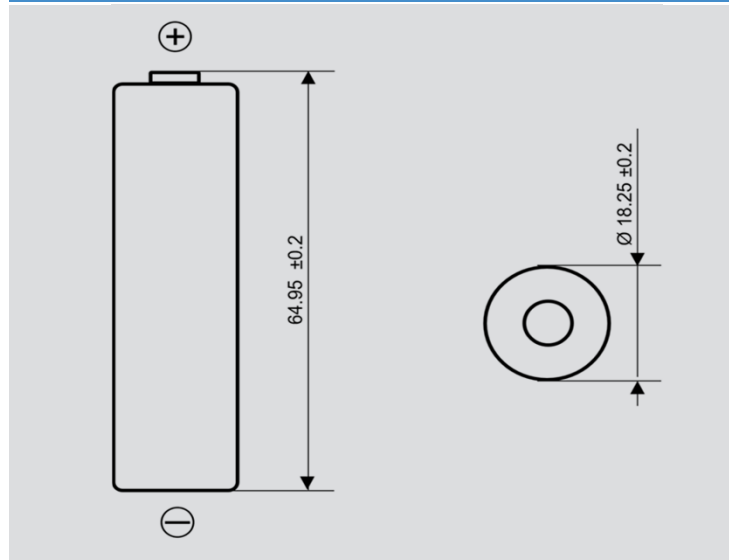
- High Energy Density
- Long Cycle Life
- Low Self-Discharge
- Fast Charging Capability



SPECIFICATIONS

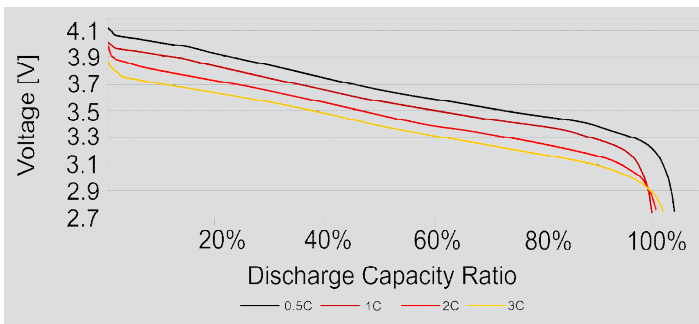
Jauch Part Number	251585
Nominal Voltage	3.7 V
Charging Voltage	4.2 V
Nominal Capacity	2900 mAh
Standard Discharge Current	1 C
Max. Discharge Current (cont.)	6A
Standard Charge Current	0.5 C
Max. Charge Current (cont.)	1 C
Discharge Ending Voltage	2.5 V
Standard Charge cut-off current	0.05 C
Internal Resistance	≤28 mΩ (ACIR)
Weight	Approx. 47 g
Operating Temperature Charge	0°C to +50°C
Operating Temp. Discharge	-20°C to +60°C
UL1642	MH62838

DIMENSIONS [mm]

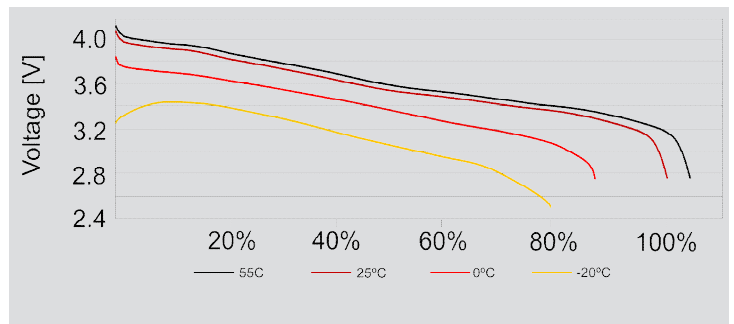


For full specifications, please contact batterytechnology@jauch.com.

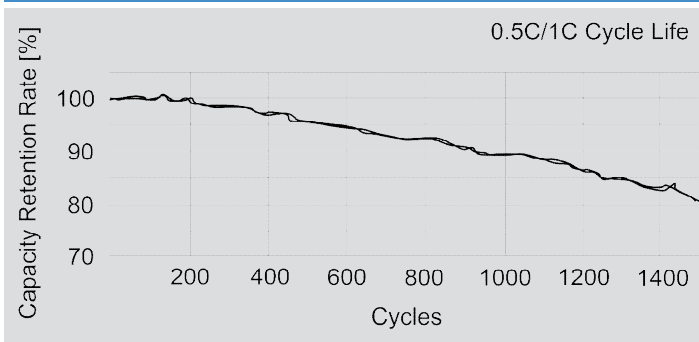
RATED DISCHARGE CURVE



TEMPERATURE CHARACTERISTIC



CYCLE CHARACTERISTIC



CYCLE CHARACTERISTIC

