



# Rechargeable Lithium Coin Cell - ML 2020

- Low self-discharge
- Long shelf life
- UN 38.3 tested
- Wide assortment of mounting options and wire terminals available



RoHS compliant



Pb free

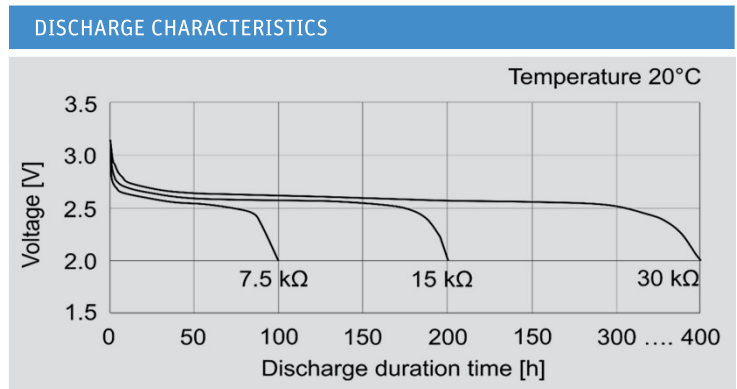
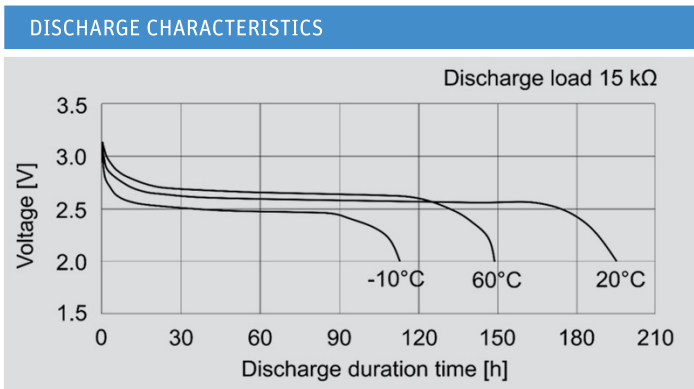
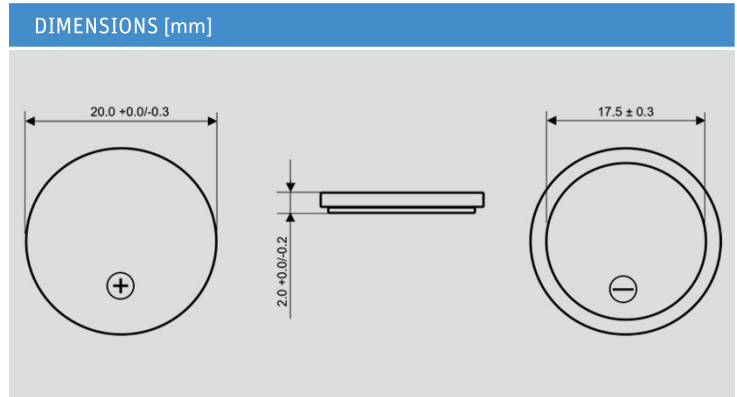


REACH compliant



Conflict mineral free

SPECIFICATIONS	
Jauch part number	252291
Nominal Voltage	3V
Nominal Capacity	40 mAh
Standard Load	15 kΩ
Nominal Discharge Current	0.2 mA
Nominal Charge Current	2.9 mA
Operating Temperature	-20°C to +70°C
Weight	Approx. 2.2 g



0